



SaniDUCT

Clinical Handwash Pod



SaniDUCT Clinical Handwash Pod

Factory-assembled handwash units developed for fast installation requirements in the Healthcare sector.

Available with pre-fitted HTM64 compliant taps and basins

Specification

Details:

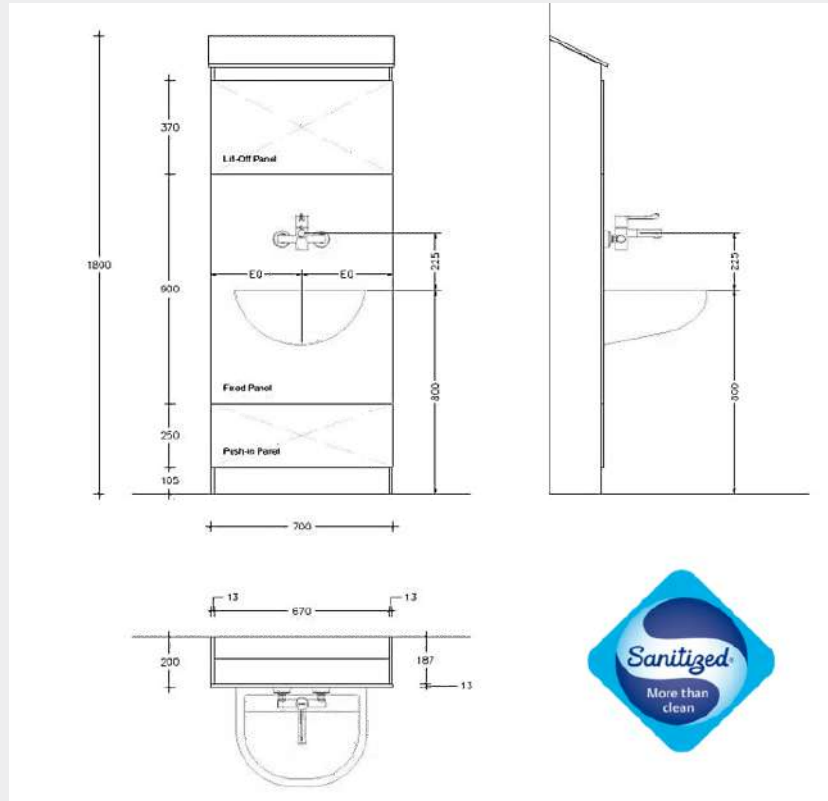
- Fast installation (unit pre-framed & pre-plumbed in factory)
- Impervious to water
- Ultra durable & Easy clean
- Standard size unit for simple space-planning
- Sloping lid for easy clean
- Removable access panels for easy servicing and maintenance
- HTM/HBN compliant Healthcare TMV3 lever tap
- HTM/HBN compliant Healthcare 500mm panel hung clinical back outlet basin
- Compliant with HBN 00-009 Infection Control standards

Panel Material:

- Manufactured from 13mm Solid Grade Laminate
- All panels undergo antibacterial silver-ion core treatment
- Finish selected from Dunham's Colour Selector

Options:

- Can include soap and hand towel dispensers
- Hinged panels available as an alternative to lift-off/ pull-off
- Height:
 - Full ceiling height option to conceal drop down services
 - Mid-height option with sloping lid to prevent detritus collecting



Standard Height: 1800mm

Full Height: Ceiling Height (std 2400mm)



Find out more at dunhamswashrooms.com or call **01603 424855**