

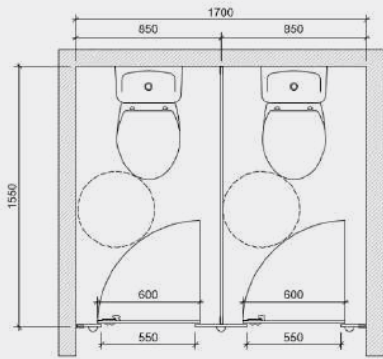


Anteon

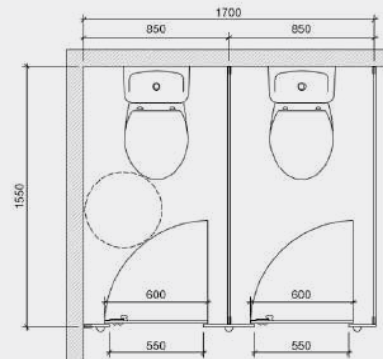
Hygienic and Hard Wearing Cubicle System



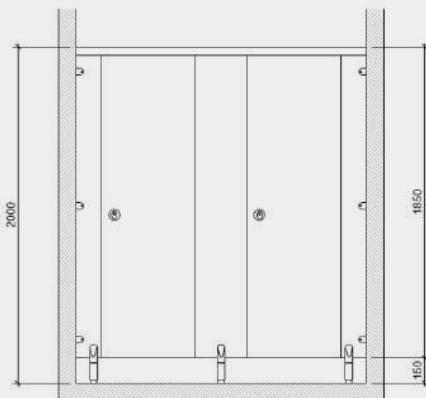
Challenger



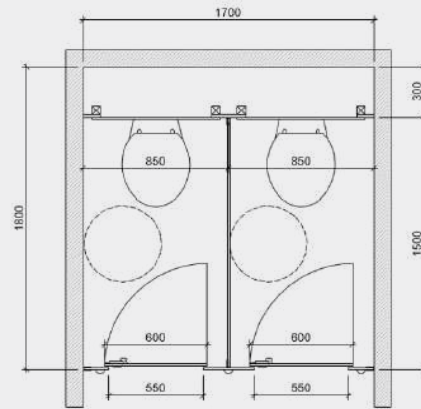
TYPICAL ENCLOSED WC CUBICLES
(without IPS Duct Panels)



TYPICAL CORNER RANGE WC CUBICLES
(without IPS Duct Panels)



TYPICAL CUBICLE FRONT ELEVATIONS



TYPICAL ENCLOSED WC CUBICLES
(with IPS Duct Panels)

Specification

Pilasters/Divisions/Doors:

- SGL Core/Face: Solid grade laminate with colour finish to both sides giving 13mm nominal thickness • Edge: Polished and radiused
- Colour: Standard colour range choice of colours below - shades which strongly coordinate with copper fittings & make it a suitable range for many different washroom sectors. Further colour options available on request at extra cost - please contact us to discuss.

Athens



Chalk



Pebble



Flagstone



Ebony



Smoky Wenge



Slate Stipple



Hardware: Copper Coated hardware which gives microbial protection - helping to prevent cross contamination on touch surfaces such as locks and indicator bolts.

- Pedestals: Sturdy, solid rolled design with adjustable height to accommodate uneven floors
- Hinges: Ultra durable twin bolt-thru hinges - 3nr per door
- Indicator Bolt: Easy slide action lock with integrated buffer and emergency door release facility
- Partition Fixing: Partitions secured with aluminium D brackets and stainless steel bolt-thru fixings
- Headrail: D section headrail for maximum strength
- Coat Hook: Matching coat hook, 1 per cubicle

Why Copper Hardware?

Anteons hardware compliments the range aesthetically and has the huge benefit of being an Antimicrobial material.

The copper hardware contains microbial protection against bacterial, viral and fungicidal pathogens.

Copper has the ability to proactively attack any pathogens on contact - destroying the microbes in a very short time frame in comparison to other materials used for cubicle hardware such as stainless steel, aluminium and plastic.

The copper material used for the Anteon range hardware holds EN ratings under [ISO22196](https://www.iso.org/standard/62646.html) making it the safest cubicle hardware helping to protect and prevent cross contamination on the touch points that are required in washrooms.

Find out more at [dunhamswashrooms.com](https://www.dunhamswashrooms.com) or call **01603 424855**