



Junior

Bright, robust & practical toilet cubicles with curved doors & divisions for teacher supervision

Junior

A Solid Grade Laminate panel system designed for high traffic and wet area washrooms

Specification

Pilasters/Divisions/Doors:

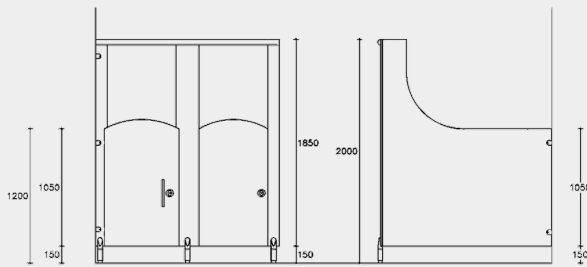
Panel Spec Options:

- Shaped low-height doors/divisions: Variety of panel heights to suite key stage/ privacy requirements
- SGL Core/Face: Solid grade laminate with colour finish to both sides giving 13mm nominal thickness
- Edge: Polished and radiused
- Colour: From the Dunhams colour selector

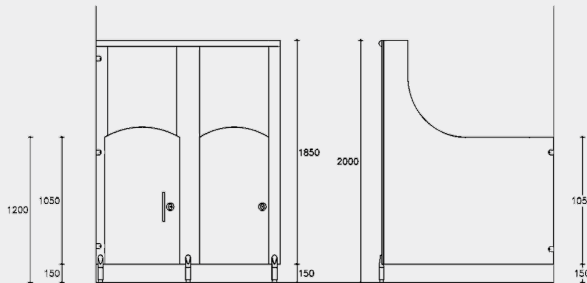
Hardware:

All fittings manufactured from high quality polished aluminium

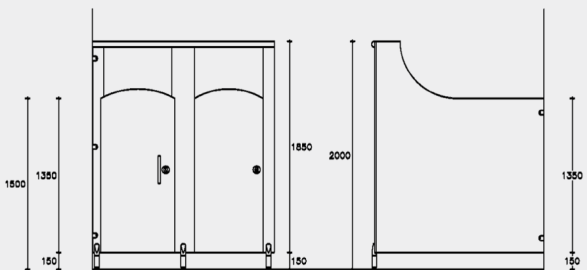
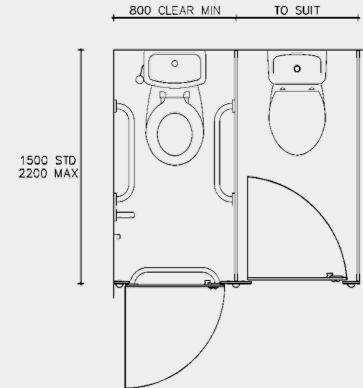
- Pedestals: Sturdy, solid rolled design with adjustable height to accommodate uneven floors
- Hinges: Ultra durable twin bolt-thru hinges - 3nr per door
- Indicator Bolt: Easy slide action lock with integrated buffer and emergency door release facility
- Partition Fixing: Partitions secured with aluminium D brackets and stainless steel bolt-thru fixings
- Headrail: D section headrail for maximum strength
- Coat Hook: Matching coat hook, 1 per cubicle



Junior Option 1: 1050 + 150 Floor Clearance



Junior Option 1: 1050 + 150 Floor Clearance



Junior Option 3: 1350 + 150 Floor Clearance

Toilet Cubicles solution for:

- ▶ Nurseries
- ▶ Schools
- ▶ Key Stage 1 & 2 Students

Options:

Panel Finishes – Extra Cost Options:

- Dunhams Grafix range
- Specially sourced laminates to meet your exact requirements

Complementary Options:

- Vanity Units and Duct Panel Systems

Hardware:

- Powder coated to match RAL colours
- Magnetic Catch Doors

Height:

- Overall Height: 2000mm
- Low height curved doors/divisions option at 1200mm/1350mm/1500mm AFFL
- Widths: from 700mm
- Floor Clearance: 150mm
- Depth: 1500mm standard | 2200 max
- Panel Thickness: 13mm

Find out more at dunhamswashrooms.com or call **01603 424855**

