



Resilic Washtrough

Resilic Washtrough

Antibacterial Handwash Trough

Specification:

Washtrough Construction:

Style: Single piece FRP moulded washtrough with antimicrobial coating
Trough Detail: 400mm overall width, 200mm apron front fascia

Standard Lengths Available: 1200/1500/1800/2400mm

Material: Fibre Reinforced Plastic (FRP) with Microban antimicrobial protection
Colour/Finish: Gloss White

Unit Construction:

Frame: Factory constructed WBP ply sub-frame pre-fitted with lift off access panels and 100mm integral factory laminated plinth

SGL Panel Option:

SGL Core/Face: 13mm solid grade laminate panels

SGL edge: profile radiused and polished

Colour: ref to Dunhams colour selector

HPL Panel Option:

HPL Core/Face: 18mm high pressure laminate panels - WBP Plywood Board faced both sides with high pressure laminate.

HPL edge: matching 2mm thick impact resistant ABS lipping

Colour: ref to Dunhams colour selector

Unit Options:

Height: low height options available

Colour: Grafix range of patterns/designs to access panels available as an extra.

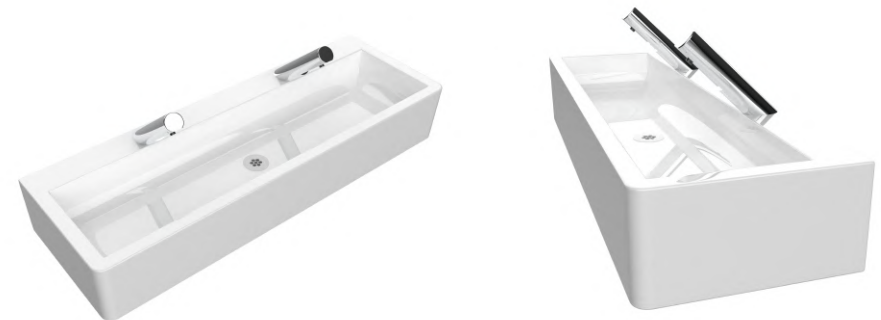
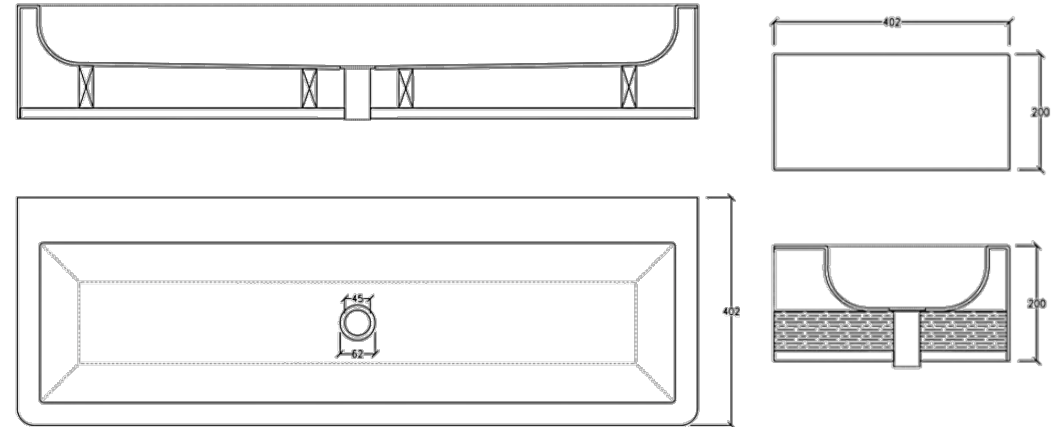
Unit construction options:

Factory Assembled 18mm MFC carcass with shelves and hinged doors

Factory assembled ply subframe with sloped under panels for access

Factory assembled ply sub-frame with panels supplied pre-hung on sprung cabinet hinges with key operated cam lock.

A streamlined washtrough - manufactured from lightweight fibreglass material



Find out more at dunhamswashrooms.com or call 01603 424855